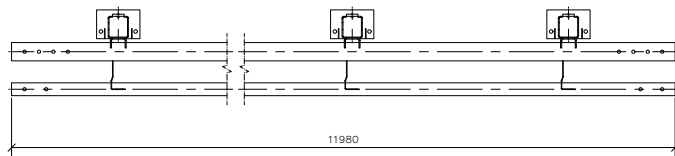
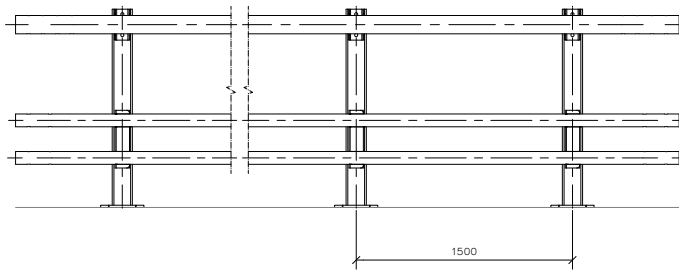
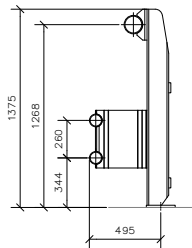


Data sheet

Aplus-L H2 W4



CE
1317



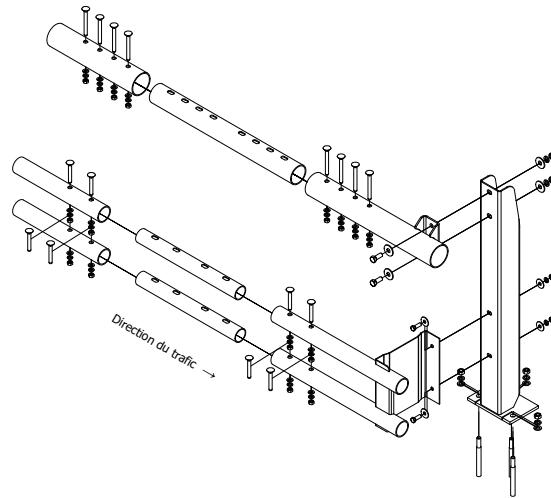
TECHNICAL SPECIFICATIONS

Containment level	H2
Class of normalised working with	W4
Class of ASI	B
Normalised dynamic deflection (m)	0.70
Construction width (m)	0.51
Construction height (m)	1.38
Construction length of one fully welded element (m)	11.98
Distance between posts (m)	1.50
Test length (m)	66.0
Maximum moment (Mmax)	13 kNm
Maximum lateral force (Vmax)	41 kN



Data sheet

Aplus-L H2 W4



MATERIALS

Tubes (mm)	Ø 88.9x 5 and Ø 127 x 5
Absorbers (mm)	folded plates thickness 4
Postes (mm)	folded plates thickness 6
Interconnecting tubes (mm)	Ø 76.1 x 4 and Ø 108 x 5
Steel grade tubes	S355 J2H and S235 JRH
Steel grade plates	S355 MC
Steel grade mounting hardware	8.8
System foundation / installation	chemical anchors M20 (3 pieces per base plate)
Treatment	galvanisation in accordance with EN ISO 1461:2009

