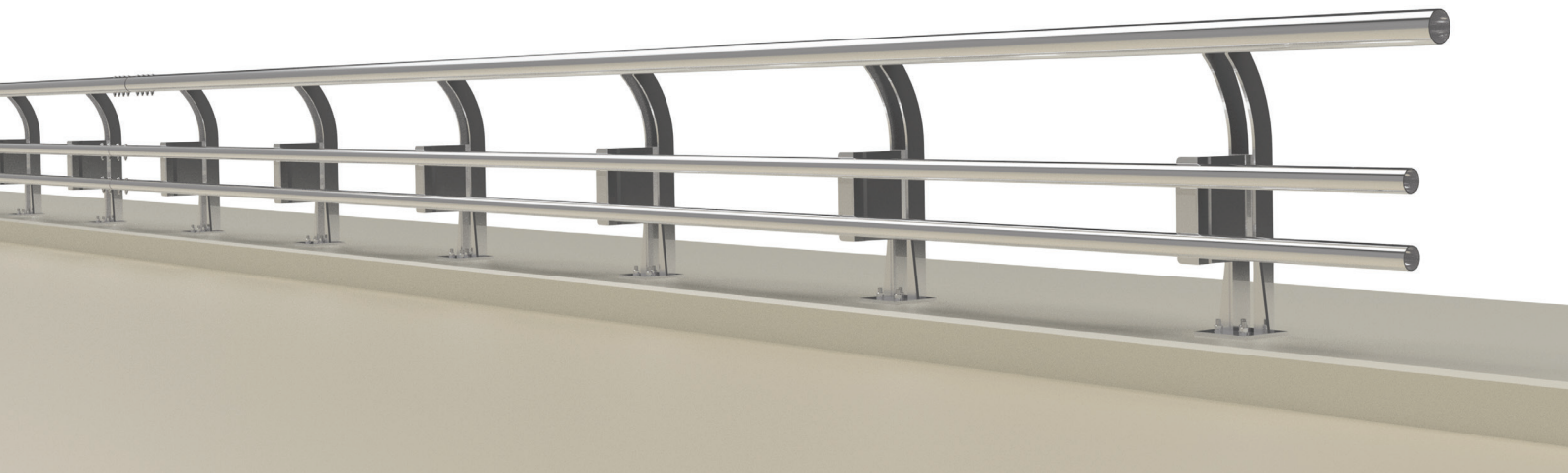
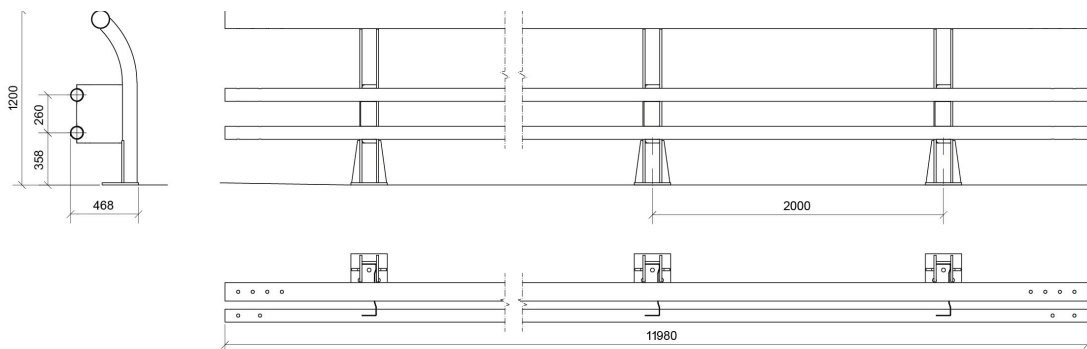


Data sheet

SBC H2 W4



CE
1317



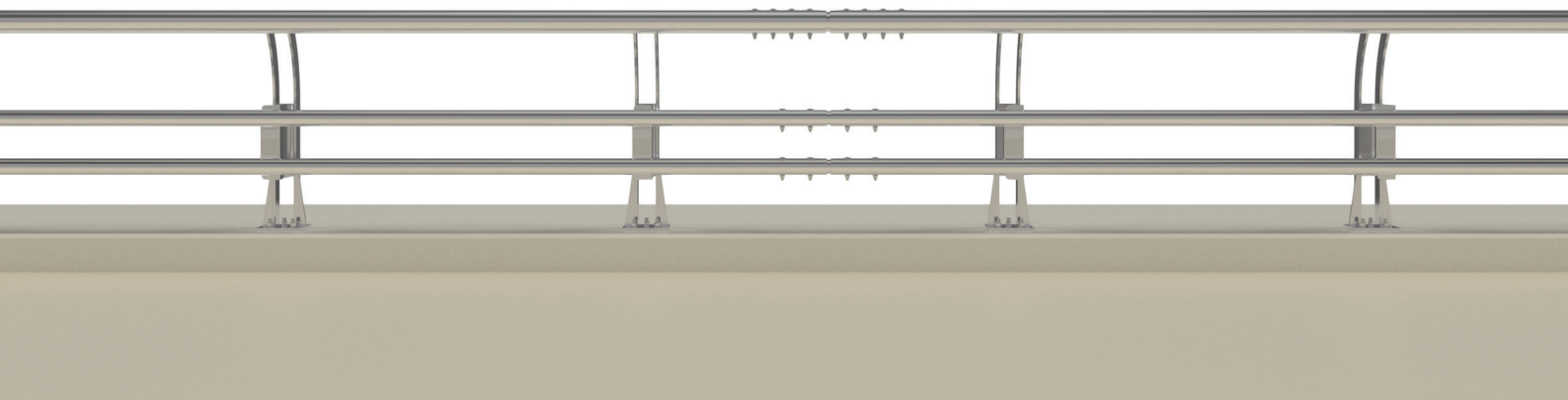
TECHNICAL SPECIFICATIONS

Containment level	H2
Class of normalised working width	W4
Class of ASI	B
Normalised dynamic deflection (m)	0.80
Construction width (m)	0.47
Construction height (m)	1.20
Construction length of one fully welded element (m)	11.98
Distance between posts (m)	2.00
Test length (m)	64.0

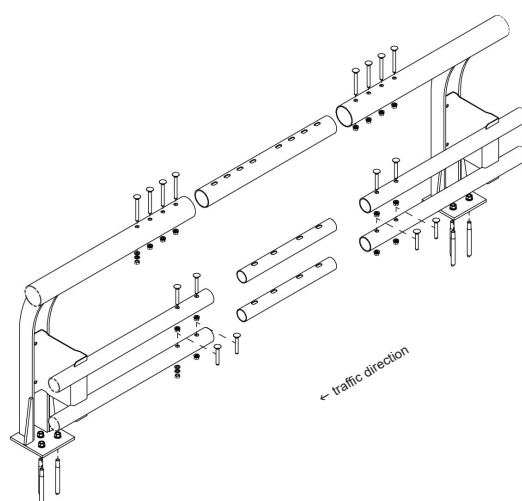


Data sheet

SBC H2 W4



CE
1317



MATERIALS

Tubes (mm)	Ø 88.9 x 5 and Ø 127 x 5
Absorbers (mm)	folded plates thickness 4
Posts (mm)	laser cut plates thickness 15
Interconnecting tubes (mm)	Ø 76.1 x 4 and Ø 108 x 5
Steel grade tubes	S355 J2H and S235 JRH
Steel grade plates	S355 MC and S355 J2 +AR
Steel grade mounting hardware	8.8
System foundation / installation	chemical anchors M20 (3 pieces per base plate)
Treatment	galvanisation in accordance with EN ISO 1461:2009

