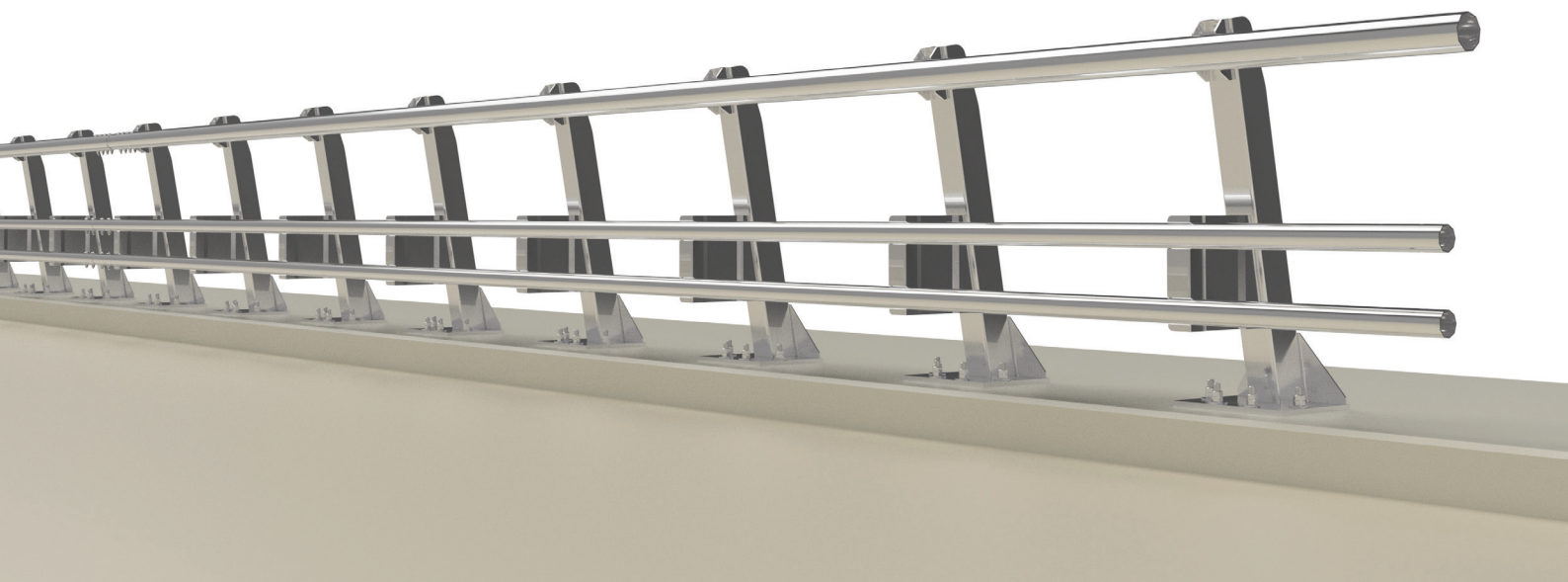
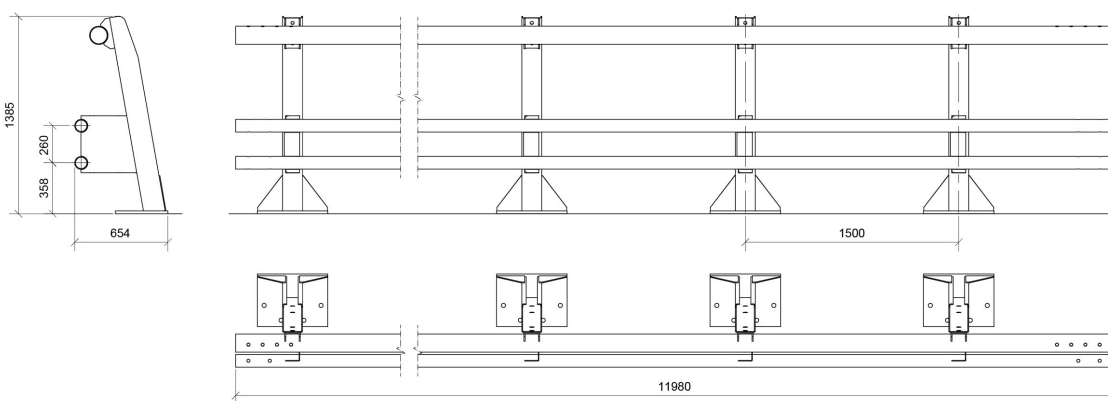


# Data sheet

## Aplus H4b W4



1317



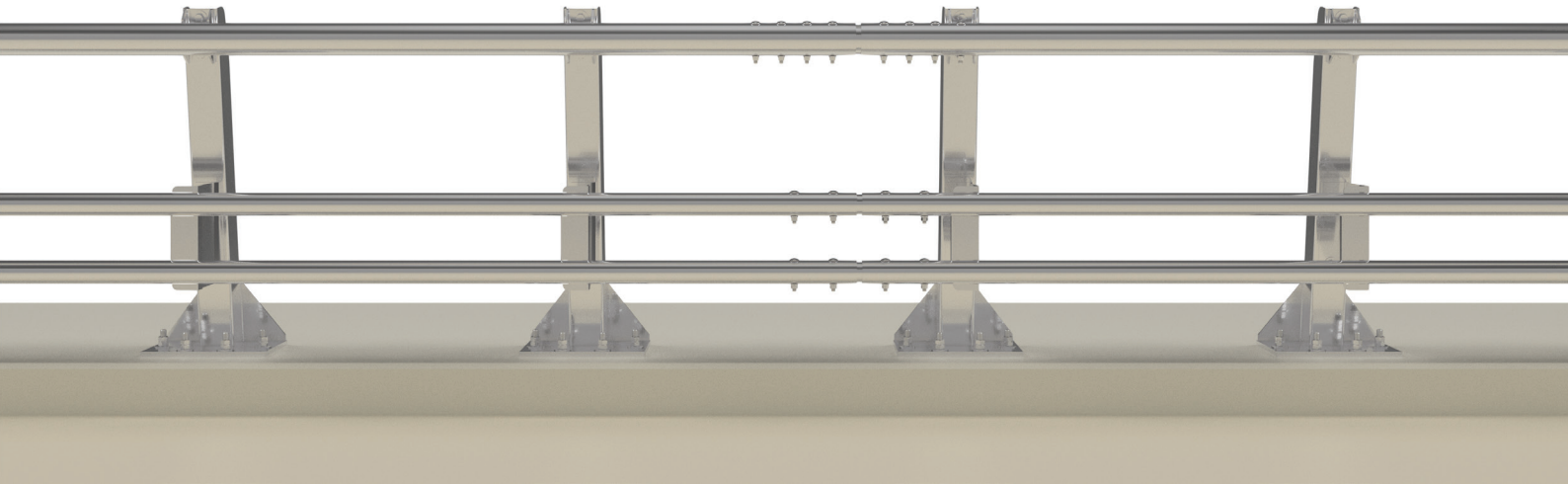
### TECHNICAL SPECIFICATIONS

Containment level	H4b
Class of normalised working width	W4
Class of ASI	B
Normalised dynamic deflection (m)	0.90
Construction width (m)	0.65
Construction height (m)	1.38
Construction length of one fully welded element (m)	11.98
Distance between posts (m)	1.50
Test length (m)	65.3

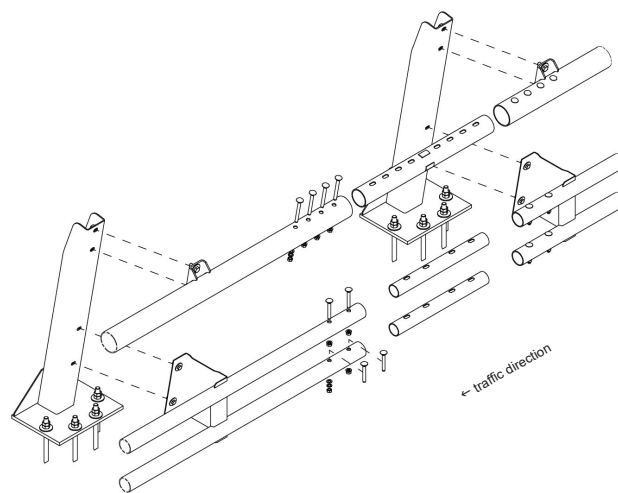


# Data sheet

## Aplus H4b W4



CE  
1317



### MATERIALS

Tubes (mm)	Ø 88.9 x 5 and Ø 127 x 5
Absorbers (mm)	folded plates thickness 4
Posts (mm)	folded plates thickness 6
Interconnecting tubes (mm)	Ø 76.1 x 4 and Ø 108 x 5
Steel grade tubes	S355 J2H and S235 JRH
Steel grade plates	S355 MC
Steel grade mounting hardware	8.8
System foundation / installation	chemical anchors M24 (4 pieces per base plate)
Treatment	galvanisation in accordance with EN ISO 1461:2009

