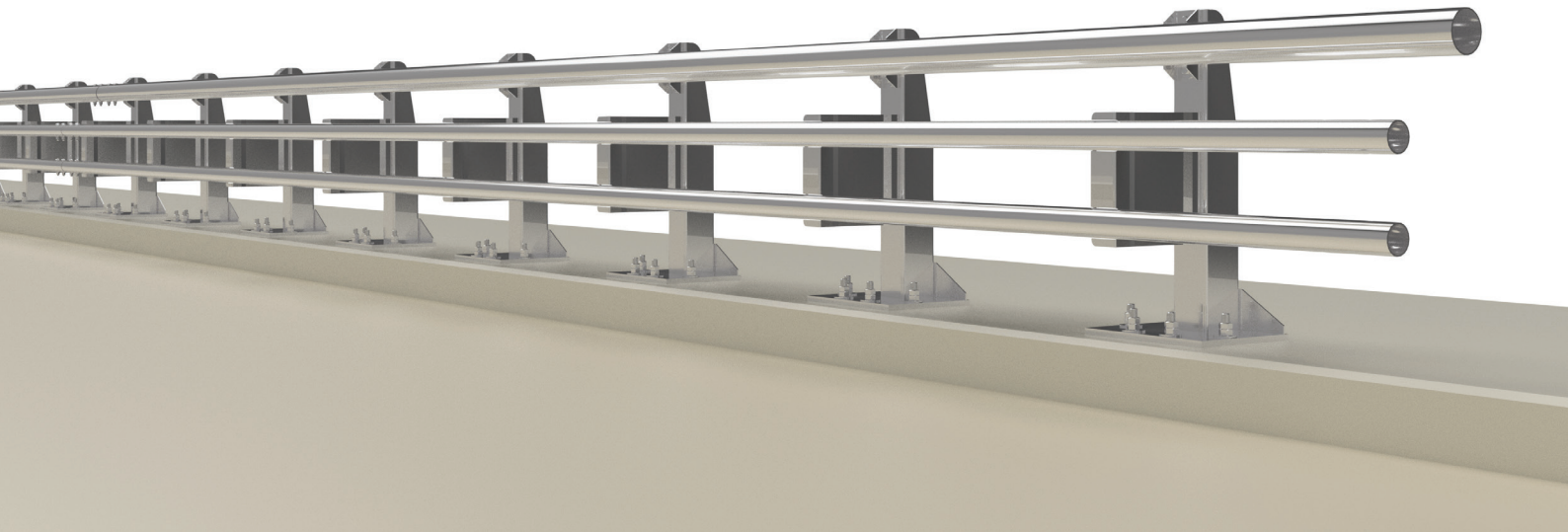
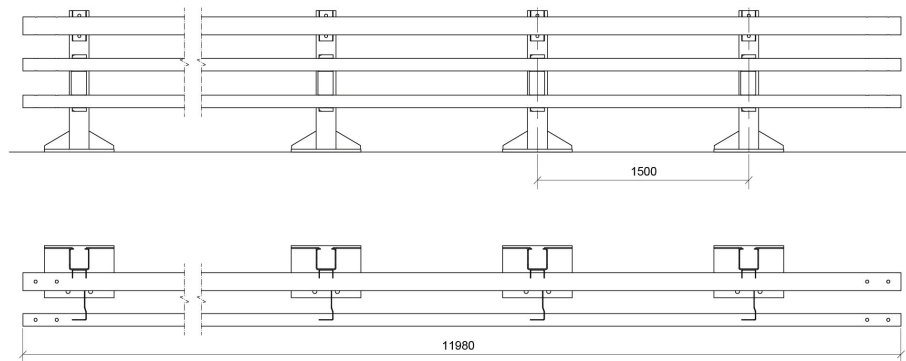
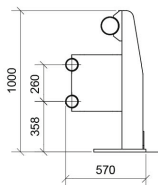


Data sheet

Aplus H2 W2



CE
1317



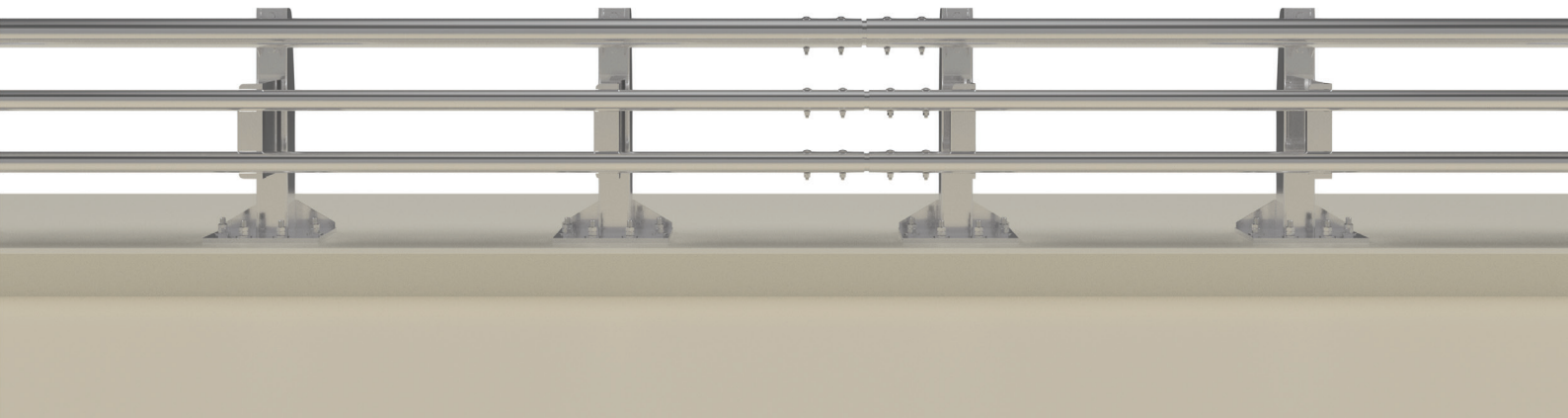
TECHNICAL SPECIFICATIONS

Containment level	H2
Class of normalised working width	W2
Class of ASI	B
Normalised dynamic deflection (m)	0.40
Construction width (m)	0.57
Construction height (m)	1.0
Construction length of one fully welded element (m)	11.98
Distance between posts (m)	1.50
Test length (m)	65.3

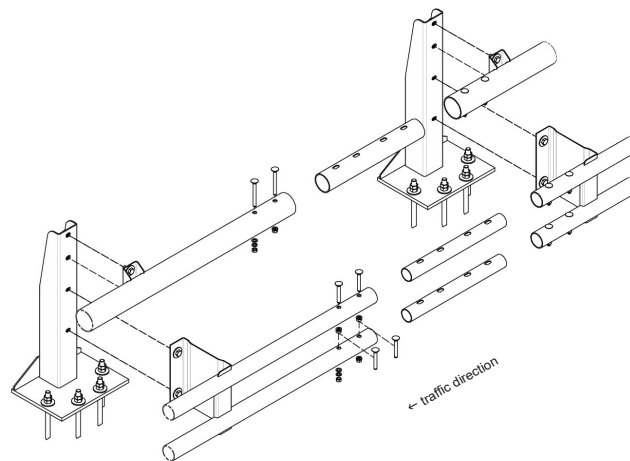


Data sheet

Aplus H2 W2



CE
1317



MATERIALS

Tubes (mm)	Ø 88.9 x 5 and Ø 127 x 5
Absorbers (mm)	folded plates thickness 4
Posts (mm)	folded plates thickness 6
Interconnecting tubes (mm)	Ø 76.1 x 4 and Ø 108 x 5
Steel grade tubes	S355 J2H and S235 JRH
Steel grade plates	S355 MC
Steel grade mounting hardware	8.8
System foundation / installation	chemical anchors M24 (4 pieces per base plate)
Treatment	galvanisation in accordance with EN ISO 1461:2009

